

MCE Capsule pressure gauges with electrical contacts explosion proof BA87

For corrosive fluids and atmospheres

LCIE 03 ATEX 6125X

CE 0081

 II 2 G et D
EEx d IIC T6 ou T5

Hazardous areas: 1, 2, 21, 22

Based upon the MCX gauges (Ø 150) of which they share all characteristics, they are fitted with electrical contact blocks providing several possible contacts combinations.



Specifications (20°C)

Measurement ranges 0...60 to 0...600 mbar

Ambient working t° -20 ... 70°C

Storage t° -40 ... 70°C

Accuracy class full scale
(in working zones)

CES, CEI	1 contact	2 contacts
	Class 2.5	Class 4

Construction

Sensing element and connection

	FOR SCALE RANGE
CONNECTION MATERIAL	1.4404 (AISI 316L) Stainless steel
THREAD	G 1/2 or 1/2 NPT
SENSING ELEMENT MATERIAL	1.4404 (AISI 316L) Stainless steel

Case and bezel ring Stainless steel 1.4301

Window Transparent polycarbonate domed, with watertight index adjustment knob.

Window gasket PVC nitril elastomer

Movement Stainless steel

Dial Aluminium alloy
Black figures and lines on white background

Pointer Aluminium alloy

Safety blow out disc PVC nitril elastomer

Safety valve Viton®- FKM

Explosion proof BA87 case

Case and cover Aluminium alloy

Window Window Hardened glass

Protection rating IP 65 according NF EN 60529

Wall mounting 4 X M10

Earth connection Internal on the terminal block or external on the case

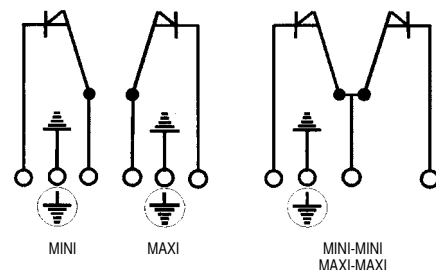
Electrical connection On an internal terminal block with an ATEX certified, cable gland for Ø7 to 12 mm cable

Pressure connection G 1/2 ou 1/2 NPT

EC conformity Directive 94/9/EC ATEX (EN50014, EN50018, EN50281-1-1)

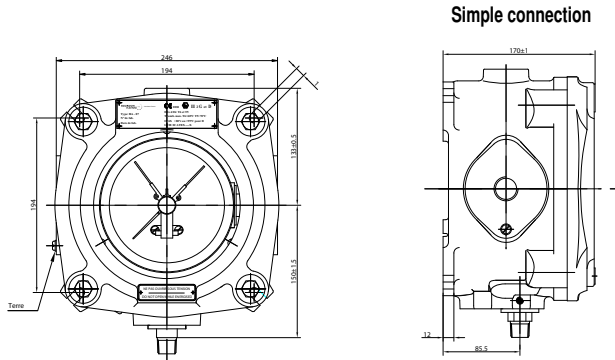
Weight 9 kg

Block diagram showing the contact block control functions



Characteristics of electrical contacts and relays: see data sheet A21.33

Dimensions (mm)



Weight: 9 kg

Regulation

Pressure gauges with electrical contacts explosion proof BA87, MCE type LCIE 03 ATEX 6125X

CE 0081

II 2 G et D
EEx d IIC T6 ou T5

DO NOT OPEN - LIVE VOLTAGE

$-20^{\circ}\text{C} \leq T_a \leq 70^{\circ}\text{C}$	Dust IP65	Gases
		T° surface
Ta = +60°C	+80°C	T6
Ta = +70°C	+95°C	T5

Maximum dissipated power: 6 W

Maximum voltage: 380 Vac

Every precaution must be taken by the user to ensure that the heat transfer by the fluid to the unit head does not raise the unit head temperature to the spontaneous ignition temperature of the gas in which it is situated.

Ordering details

		MCExAx0Nxx
Family	1' Digit	
Pressure gauge		M
Model (case ADF)	2' ... 3' Digit	
With capsule and electric		CE
Type of contact	4' Digit	
Control function, dry contact		
Mini		1
Mini-mini (F.S. ≥ 100 mbar)		5
Control function, Inductive contact		
Maxi		2
Maxi-maxi (F.S. ≥ 100 mbar)		6
Type of mounting and connection position	5' Digit	
Bottom connection, 4 mounting lugs at back		A
Hydraulic connection	6' Digit	
G1/2		3
1/2 NPT		6
Type of liquid filling	7' Digit	
Dry		0
Unit of measurement	8' Digit	
mbar		N
Pressure range	9' ... 10' Digit	
See table		xx

Code	Ranges mbar	Dry contact / Inductive contact	
		1 contact	2 contacts
07	0+60	X	
08	0+100	X	X
09	0+160	X	X
10	0+250	X	X
11	0+400	X	X
12	0+600	X	X

UK/04-2007 This data sheet may only be reproduced in full